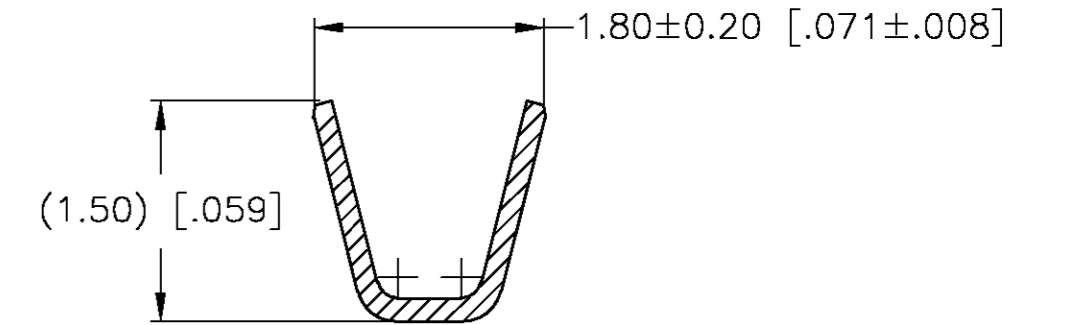
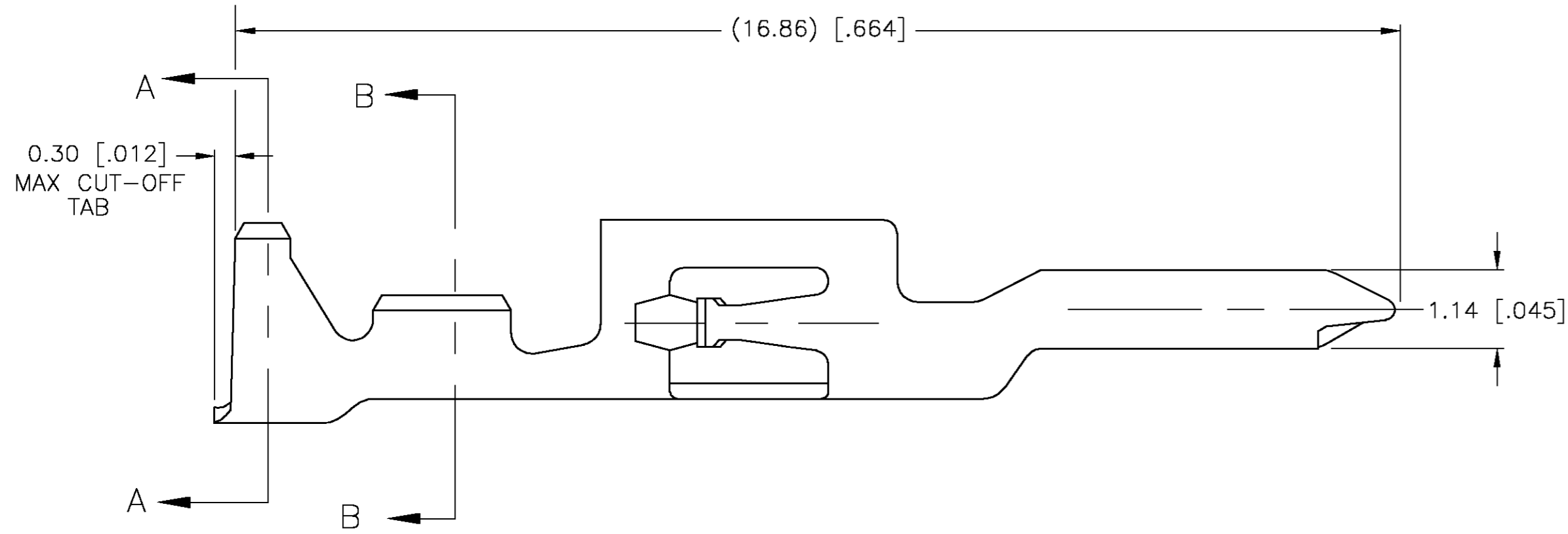
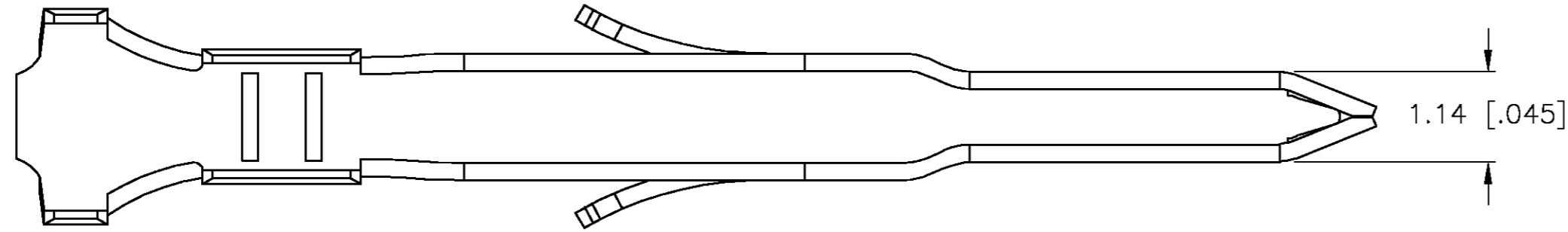


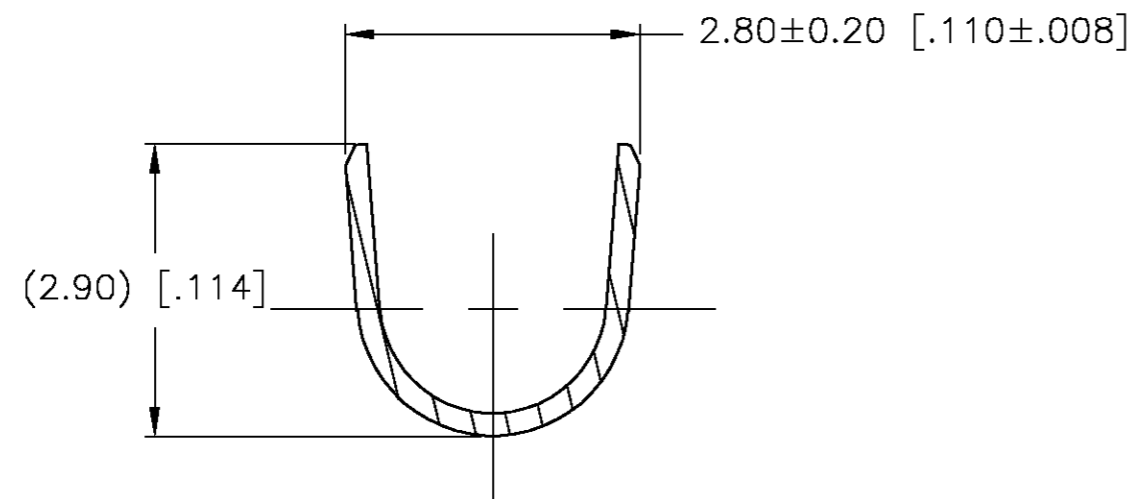
THIS DRAWING IS UNPUBLISHED. RELEASED FOR PUBLICATION  
 © COPYRIGHT BY TYCO ELECTRONICS CORPORATION. ALL RIGHTS RESERVED.

LOC	DIST	REVISIONS			
P	LTR	DESCRIPTION	DATE	DWN	APVD
CM	00	A	OG3B-0888-03	30-JAN-04	SH DC

1. HAND TOOL PART NUMBER 734202-3.
2. CONTACT EXTRACTION TOOL: 188688-1
3. WIRE RANGE: 0.12-0.35mm<sup>2</sup> [.005-.014in<sup>2</sup>], (22-26 AWG).
4. INSULATION RANGE: 1.20-1.75 [.047-.069] DIAMETER.



SECTION B-B  
SCALE 14:1



SECTION A-A  
SCALE 14:1



794578-1	PRE-TIN	0.22 [.009] PH BRZ.	794579-1
STRIP (REF)	FINISH	MATERIAL	PART NUMBER

THIS DRAWING IS A CONTROLLED DOCUMENT.		DWN S. HOOVER 30-JAN-2004	Tyco Electronics Corporation Harrisburg, Pa 17105-3608	
DIMENSIONS: mm [INCHES]		CHK D. COLEY 30-JAN-2004	NAME	
TOLERANCES UNLESS OTHERWISE SPECIFIED:		APVD D. COLEY 30-JAN-2004	CONTACT, MALE, AMP-DUAC™ POWER CONNECTOR LOOSE PIECE	
0 PLC ±	1 PLC ±	PRODUCT SPEC	108-6067	RESTRICTED TO
2 PLC ±	3 PLC ±	APPLICATION SPEC	114-6067 1	SIZE CAGE CODE DRAWING NO
4 PLC ±	ANGLES ±	WEIGHT	A2 00779 C=794579	SCALE 14:1 SHEET 1 OF 1 REV A
MATERIAL SEE CHART		CUSTOMER DRAWING		